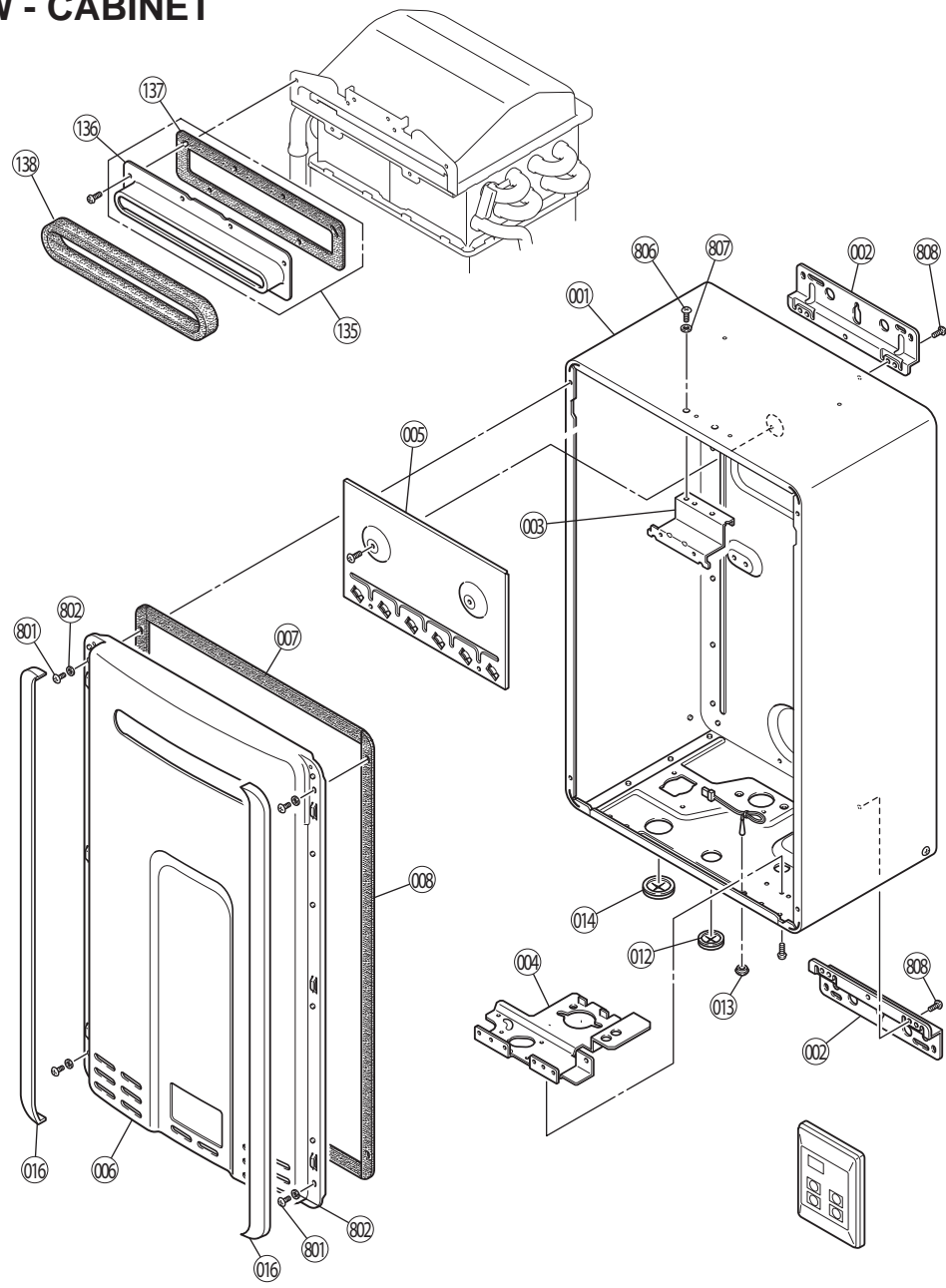
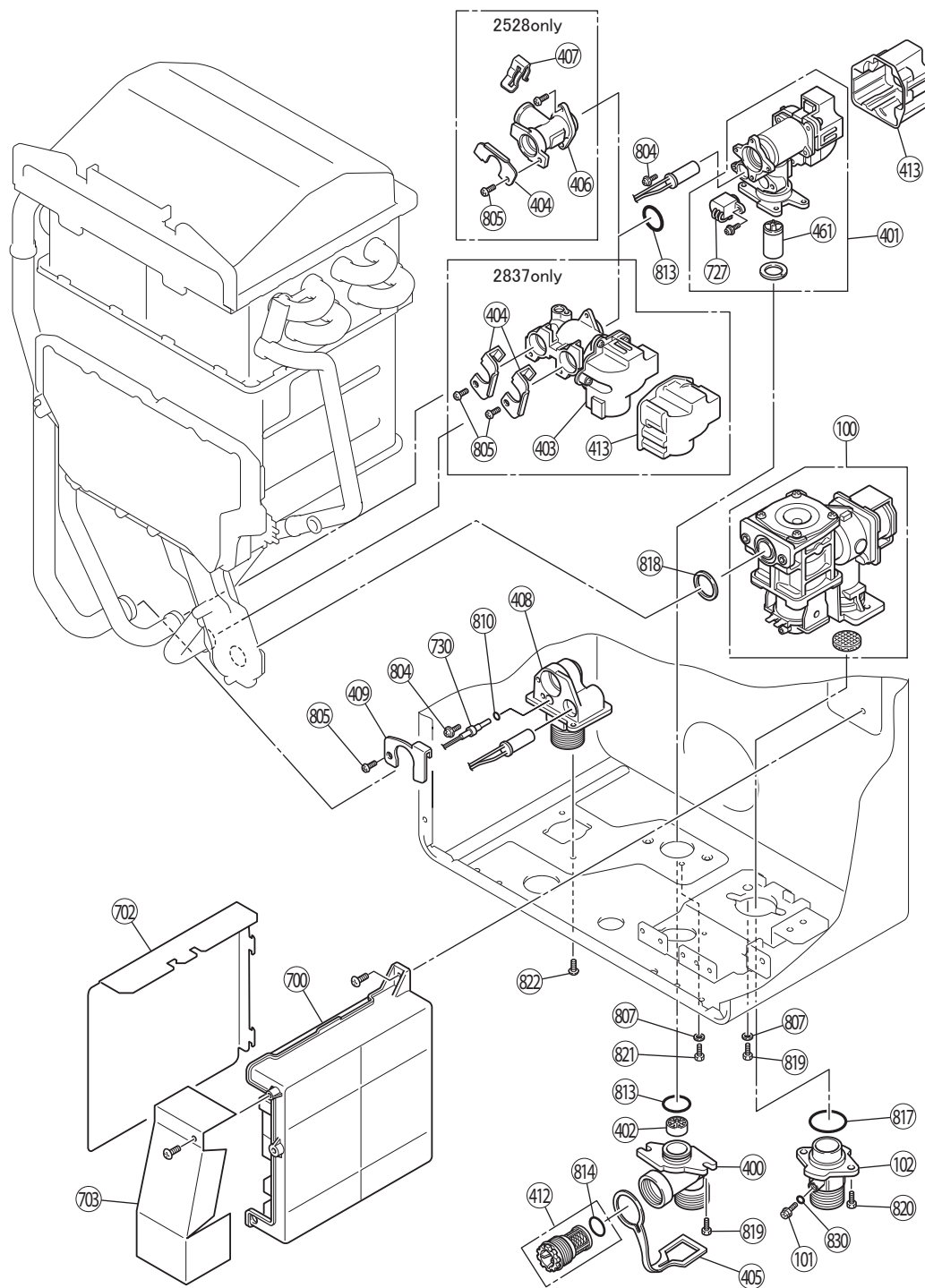


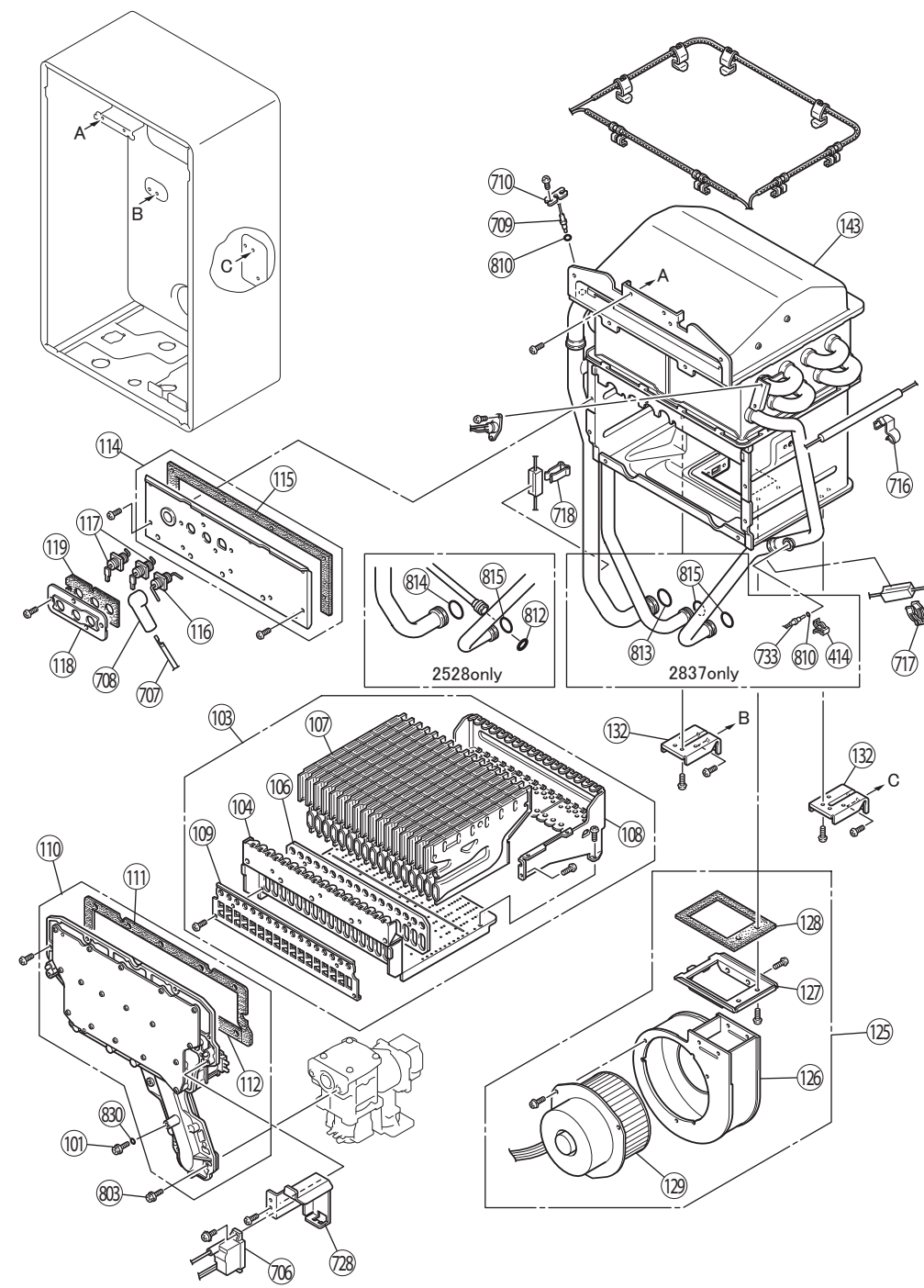
EXPLODED VIEW - CABINET



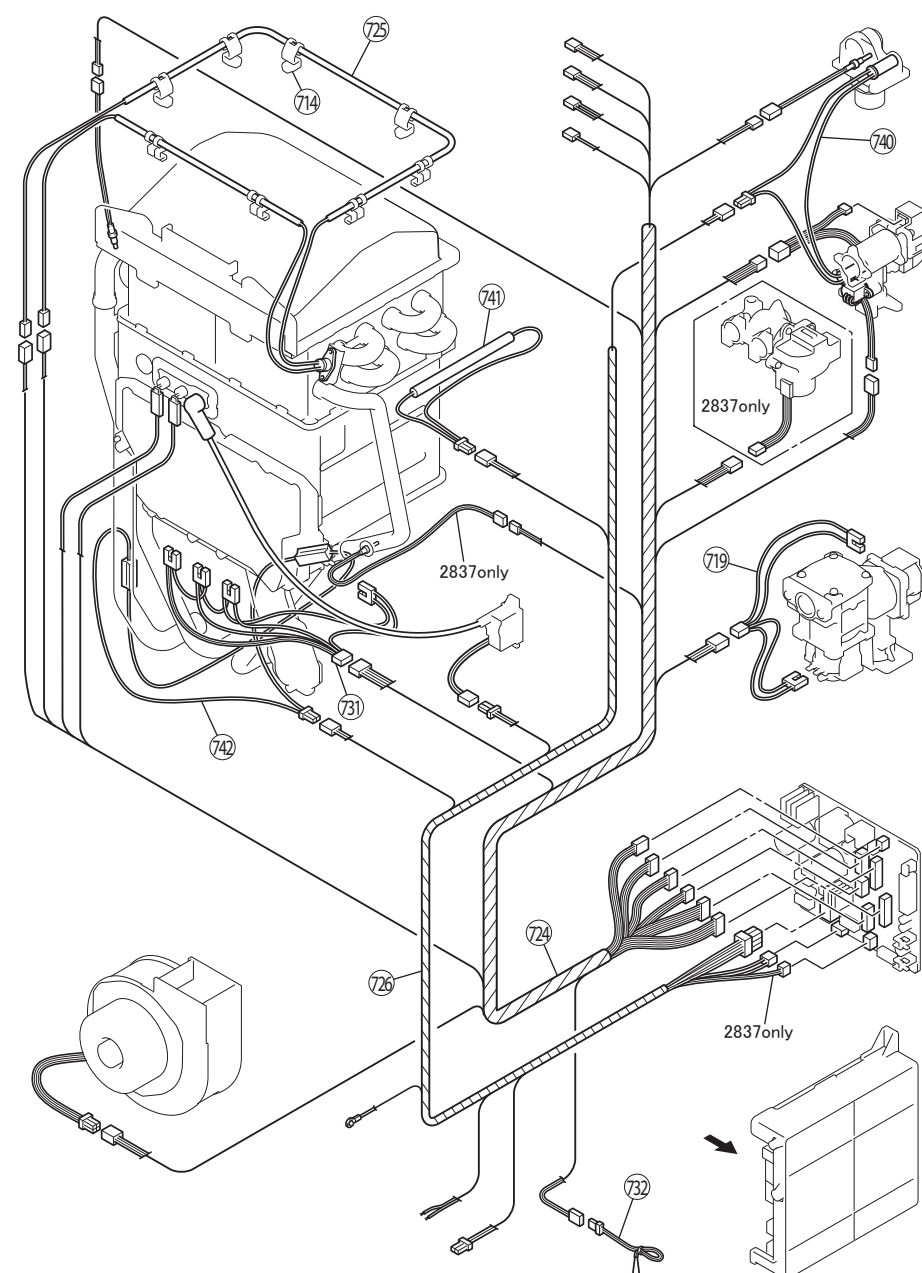
EXPLODED VIEW - INTERNALS



EXPLODED VIEW - INTERNALS



EXPLODED VIEW - ELECTRICAL



Item Description	Part Number	Qty	RL94e (VC2837)	RL75e (VC2528)	Item Description	Part Number	Qty	RL94e (VC2837)	RL75e (VC2528)	Item Description	Part Number	Qty	RL94e (VC2837)	RL75e (VC2528)
001 MAIN BODY	109000257	1	1		132 HEAT EXCHANGER BRACKET	109000277	2	2		719 AWG18 HARNESS	105000162	1	1	
002 WALL BRACKET	109000281	2	2		135 FLUE OUTLET ASSEMBLY	108000065	1	1		724 SENSOR HARNESS-2	105000164	1		
003 TOP SIDE REINFORCEMENT	109000260	1	1		136 FLUE OUTLET	108000066	1	1		724 SENSOR HARNESS-4	105000166		1	
004 CONNECTION REINFORCEMENT	109000261	1	1		137 FLUE OUTLET PACKING	108000067	1	1		725 FUSE HARNESS	105000167	1	1	
005 HEAT PROTECTION PLATE	109000275	1	1		138 SEAL PACKING	AH24-653-6	1	1		726 POWER SUPPLY HARNESS	105000181	1		
006 FRONT PANEL	109000262	1	1		143 HEAT EXCHANGER ASSEMBLY	107000100	1			726 POWER SUPPLY HARNESS	105000182		1	
008 FRONT PANEL PACKING	U245-3185-2	2	2		143 HEAT EXCHANGER ASSEMBLY	107000102		1		727 WATER FLOW SENSOR	105000176	1	1	
008 FRONT PANEL PACKING	109000077	2	2		400 WATER INLET	H73-501-2	1	1		728 IGNITOR BRACKET	109000272	1	1	
012 RUBBER STOP	CF79-41020-A	1	1		401 WATER FLOW SERVO & SENSOR	107000090	1	1		730 TWIN THERMISTOR	105000108	1	1	
013 THERMISTOR STOP	109000276	1	1		402 RECTIFIER	M8D1-15	1	1		731 SOLENOID HARNESS	105000168	1	1	
014 RUBBER STOP	U245-125	1	1		403 BY-PASS SERVO ASSEMBLY	107000091	1			732 THERMISTOR	105000150	1	1	
016 SCREW COVER	109000197	2	2		404 PIPE BRACKET	AH69-310	2	1		733 AIR INTAKE THERMISTOR	H111-650	1		
100 GAS CONTROL ASSEMBLY	106000085	1	1		405 PLUG BAND	109000018	1	1		740 HEATER	105000154	1	1	
101 TEST PORT SET SCREW	C10D-5	2	2		406 FIXED BYPASS	107000103	1	1		741 HEATER	105000169	1	1	
102 3/4 GAS INLET	106000065	1	1		407 CLIP	109000278	1	1		742 HEATER	105000170	1	1	
103 BURNER UNIT ASSY (LPG)	106000072	1	1		408 HOT WATER OUTLET (3/4 NPT)	107000092		1		801 TRUSS SCREW	CP-30580	4	4	
103 BURNER UNIT ASSY (NG)	106000073	1	1		408 HOT WATER OUTLET (3/4 NPT)	107000104		1		802 NYLON WASHER	AU33-184X01	4	4	
104 BURNER CASE FRONT PANEL	106000074	1	1		409 STOP BRACKET	U211-322	1			803 SCREW	109000280	2	2	
106 PACKING	109000264	1	1		409 STOP BRACKET	AU162-1876		1		804 SCREW	U217-449	2	2	
107 BURNERS	106000054	17	17		412 FILTER ASSEMBLY	H98-510-S	1	1		805 SCREW	CP-20883-410UK	3	2	
108 BURNER CASE BACK PANEL	106000075	1	1		413 COVER	107000093	2	1		806 SCREW	109000025	2	2	
109 DAMPER(LPG)	106000076	1	1		414 CLIP	105000090	1			807 PLASTIC WASHER	AU48-174	4	4	
109 DAMPER (NG)	106000077	1	1		461 WATER FLOW TURBINE	107000088	1	1		808 SCREW	CP-30580	4	4	
110 MANIFOLD ASSEMBLY (LPG)	106000078	1	1		700 PC BOARD	105000159	1			810 O-RING	M10B-2-4	3	2	
110 MANIFOLD ASSEMBLY (NG)	106000079	1	1		700 PC BOARD	105000161		1		812 O-RING	M10B-2-10		1	
111 COMB CHAMBER PACKING UPPER	106000080	1	1		702 COVER	109000247	1	1		813 O-RING	M10B-2-18	3	2	
112 COMB CHAMBER PACKING LOWER	106000081	1	1		703 EC COVER	109000248	1	1		814 O-RING	M10B-2-16	1	2	
114 COMB CHAMBER FRONT PANEL	106000082	1	1		706 IGNITOR	105000180	1	1		815 O-RING	M10B-2-14	2	1	
115 COMB CHAMBER PACKING - 2	106000083	1	1		707 HIGH TENSION CORD	BH38-710-240	1	1		817 O-RING	M10B-1-24	1	1	
116 ELECTRODE	105000179	1	1		708 ELECTRODE SLEEVE	AU206-218	1	1		818 PACKING	109000181	1	1	
117 FLAME ROD	105000093	2	2		709 WATER SUPPLY THERMISTOR	105000114	1	1		819 HEXAGON HEAD SCREW	ZQAA0512UK	3	3	
118 ELECTRODE BRACKET	105000156	1	1		710 RETAINER (THERMISTOR)	CP-90172	1	1		820 HEXAGON HEAD SCREW	ZQAA0514UK	2	2	
119 ELECTRODE PACKING	105000157	1	1		714 FUSE HOLDER	U250-670X01	8	8		821 HEXAGON HEAD SCREW	ZQAA0508UK	1	1	
125 FAN MOTOR ASSEMBLY	108000060	1	1		716 HEATER CLIP	109000271	2	2		822 SCREW	CP-30580	2	2	
126 FAN CASING	U287-1210	1	1		717 HEATER CLIP	AU100-721	1	1		830 O-RING	M10B-13-4	2	2	
127 FAN CONNECTING BRACKET	108000062	1	1		718 HEATER CLIP	AU124-618	1			888 MANUAL	100000244	1	1	
128 FAN CONNECTING BRACKET PACKING	108000063	1	1			109000282		1		889 TECH SHEET	100000246	1	1	